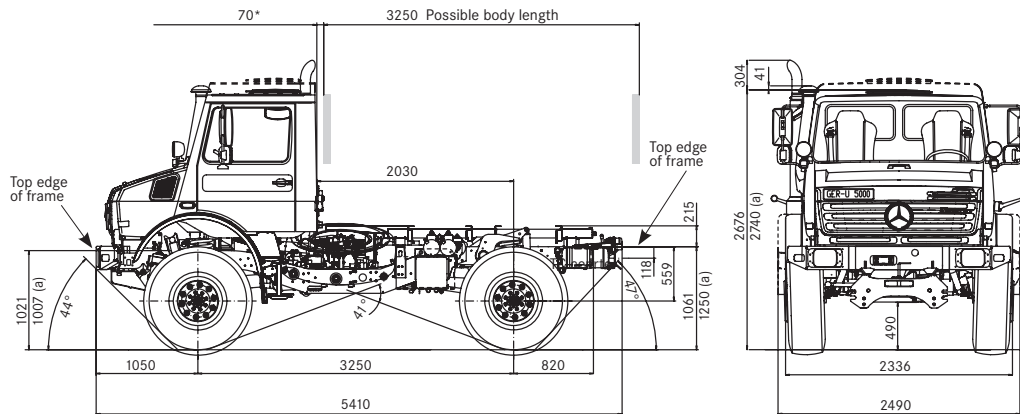
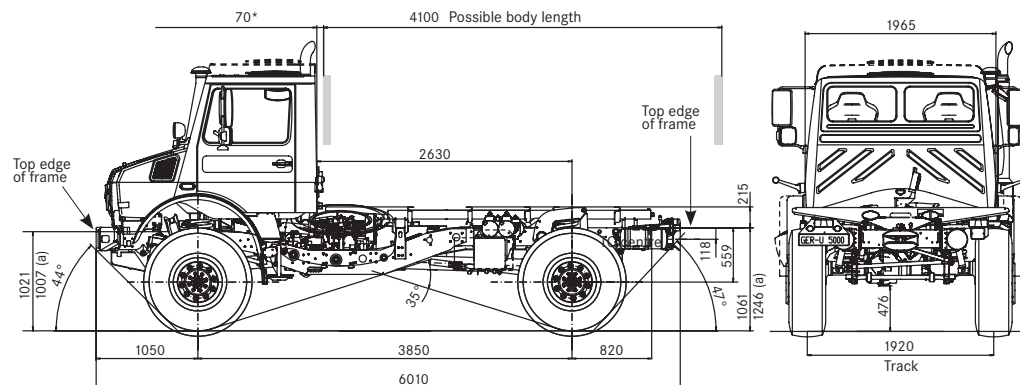


## Mercedes-Benz Unimog U 5000 Euro 5



Wheelbase 3250 mm (model variant 437.431) as chassis



Wheelbase 3850 mm (model variant 437.436) as chassis (Figure with special equipment)

All dimensions in mm, shown with 365/80 R 20 tyres, (a) unladen, TC = trailer coupling, \* front edge of body

More information on the Mercedes-Benz Unimog can be found online at: [www.mercedes-benz.com/unimog](http://www.mercedes-benz.com/unimog)  
Daimler AG, Special Trucks Division, 76742 Wörth, Germany, 6703.T1121/Euro 5-02-00/0609  
The manufacturer reserves the right to make changes without notice. Printed in Federal Republic of Germany.

### Standard equipment

#### Engine

- Turbocharger, intercooler • 2 control characteristics (on-road/off-road) • Manual throttle (electronic)
- 2 viscous fans with V-belt drive • Euro 5 emissions standard • 2-stage engine brake (constantly open throttle/throttle valve) • Air compressor 310 l/min • Air dryer • Air filter, moisture separator • Cold start down to -18°C • Maintenance intervals every 30,000 km (1,200 operating hours)

#### Clutch/transmission

- Single-plate dry clutch, self-adjusting • 8 forward and 6 reverse gears • Rear-axle drive with pneumatically selectable all-wheel drive • Telligent® gearshift
- Cruise control/speed limiter • Max. speed limiter 90 km/h • EQR (Electronic Quick Reverse)

#### Frame/axes

- Flexible, ladder-type frame with high torsional flexibility • 3-point mountings for engine, transmission • Front towing jaw with pin • Coil springs with progressive characteristic line • Front/rear stabilisers, shock absorbers • Portal axles with hub drive,  $i = 6.94$  • Front/rear differential lock • Anti-corrosion underbody protection (Dinol)

#### Cab, exterior

- All-steel short-bonnet cab, roof flap • Seat position behind the front axle • Short front end dimensions • Cab strength acc. to ECE R29/2 • Bonnet tilts for maintenance • 3-point sprung-mounted cab with dampers • High, protected windscreen • 2 rear windows • Tinted glass all-round • Power windows • Windscreen washer system • Windscreen wipers with several speed settings and intermittent setting
- Dust-free air intake at cab roof height • Non-slip steps with grab handle • Heated exterior mirrors, electrically adjustable

#### Cab, interior

- Heating and ventilation system, 3-speed blower, residual engine heat utilisation • Rest table and stowage compartments • Overhead console with 2 installation openings for radio/tachograph • Up to 3 sun visors • Centre console with central controls, 1 installation opening • Combination switch on the steering column • Instrument cluster with analogue and LCD displays • On-board diagnostics • Hour meter • Seats with tailored backrest and integral head restraint • Driver's seat adjustable for height and length, adjustable backrest • 3-point seat belts all-round • Armrest in door trim • Interior lighting
- Coat hook • Vehicle tools

#### Electrical system/lighting

- 24 V vehicle power supply • Electronics box protected in the cab • 24 V outlet • CAN bus network • Rear trailer socket, 15-pin • Battery 66 Ah • Electronic vehicle management system • EMC-certified • Three-phase generator 28 V/100 A • Halogen headlamps • Headlamp range adjustment • Rear fog lamp • Reversing lights • End-outline marker lamps
- Additional indicators

#### Braking system

- Pneumatic/hydraulic high-pressure braking system (18 bar) • Disc brakes on all 4 wheels • 4-channel ABS, can be deactivated off-road • Automatic load-sensitive brake pressure control (ALB) • Compressed air connection for auxiliary loads • Spring-loaded parking brake • Tyre inflation connection • Brake pad wear indicator • Air dryer

In addition to this extensive standard equipment, we can also offer you a host of optional equipment and accessories to meet the specific operational needs of your Unimog. Your Unimog Partner will be happy to advise you.

<b>Engine</b>	<b>160 kW, 218 hp</b>	
Emissions class	Euro 5	
Model	OM 924 LA	
Type	4-stroke diesel direct injection with turbocharger/intercooler	
No. of cylinders/arrangement	4, in-line	
Displacement	cc	4,800
Max. output	kW (hp)	160 (218)
at rated engine speed	rpm	2,200
Max. torque	Nm	810
Cooling system	Water with thermostat, 2 viscous fans with V-belt drive	
Diesel fuel tank	Net capacity (litres)	145, with crewcab 160
AdBlue tank	Net capacity (litres)	18

## Transmission

- MB full-synchromesh reversing transmission with 8 forward and 6 reverse gears
- Opt. additional 8 fully loadable working gears/off-road gears
- Opt. electronic AutomaticShift system

## Speeds (in km/h, forward)

Main gears	6.5	-	84.6
Working gears	1.1	-	14.7

with 365/80 R 20 tyres and final drive ratio  $i = 6.94$

## Electrical system 24 V

- Opt. battery 2 x 12 V/100 Ah, or 125 Ah
- Opt. 24 V/25 A and 12 V/15 A outlets with C3 signals
- Opt. 24 V/40 A equipment socket, 24-pin with C3/C4 signals

## Steering

- ZF Servocom hydraulic power steering, type 8095
- Opt. right-hand drive
- Turning circle Ø short wheelbase from 14.4 m
- Turning circle Ø long wheelbase from 16.2 m

## Axles/drive

- Portal axles connected to the transmission with torque tubes
- Axle tube and differentials situated above wheel centre line, high ground clearance
- Standard-fit front/rear differential locks, all locks can be selected and deactivated electropneumatically while in motion using a dog clutch (100% locking factor)
- Standard fording capability up to 800 mm
- Opt. fording system up to 1,200 mm fording depth
- Opt. heat protection and mechanical protection for forest firefighting

## Cab

### Exterior

- Opt. crewcab for 7 persons • Opt. hydraulic tilt cab • Opt. heated windscreen • Opt. cab extended by 120 mm • Opt. cab roof raised by 120 mm • Opt. round roof hatch • Opt. vertical exhaust pipe

### Interior

- **Seats** • Opt. driver and passenger seats as air-sprung luxury suspension seat • Opt. passenger seat as two-seater version; provides 3 seats • All seats with 3-point seat belts and head restraints

**Air conditioning** • Integral air conditioning system or roof-mounted air conditioning system (also for crew-cab) • Opt. auxiliary heating with engine preheating, 7-day timer

**Instruments, controls** • Driver information system (FIS) with status displays, event reports and menu-driven on-board diagnostics • 2-line indicator lamps, visual and acoustic warning indicators • Opt. digital tachograph

**Safety** • Safety locks in the doors, steering and ignition lock

## Lighting

- Opt. auxiliary headlamps with indicator lamps for implement operation
- Opt. waterproof halogen fog lamps
- Opt. rotating beacons

## Wheels/tyres

- 4 identical size tyres; single tyres
- Opt. low-pressure tyres with MPT/AS/Sand treads
- Standard tyres 365/80 R 20
- Smallest tyres 405/70 R 20
- Largest tyres 455/70 R 24
- Opt. tyre pressure control system (tirecontrol) to adjust the tyre pressure to on-road/off-road

## Max. permissible loads (in tonnes up to)

Perm. GVW	Front	Rear
11.99	5.5	7.5
12.5	5.5	7.5
13.8	6.2	8.5 only for attachments
14.1	6.2	8.5 only for firefighting

## Towing capacity

- Opt. dual-line trailer braking system
- As truck up to 18.7 t, with centre axle trailer up to 9 t

## Hydraulics (optional)

Universal hydraulic system for positioning movements and continuous loads, implement manufacturer to supply req. valves

- Single-circuit hydraulic system, with 60 l/min flow rate and 240 bar operating pressure  
Oil reservoir: 25 l (consumption quantity: 8 l)  
Can be controlled by equipment provided by implement supplier  
2 connectors front and rear

## Auxiliary drives (optional)

### Transmission-mounted auxiliary drive

Mechanical transmission-mounted auxiliary drive to power hydraulic pumps (e.g. for crane or excavator)

- High-speed PTO with  $i = 1.0$   
Speed 2,200 rpm, rotates anticlockwise in the direction of travel  
Max. torque 520 Nm  
Max. output 120 kW

or

- Ultra-high-speed PTO with  $i = 0.61$   
Speed 3,606 rpm, rotates clockwise in direction of travel  
Max. torque 320 Nm  
Max. output 120 kW

## Implements and attachments (optional)

- Front mounting plate acc. to DIN 76 060, type B, size 3
- Frame attachment fittings/brackets, front and centre; cable winch bracket
- Floor assembly with twin articulation-free 3-point mountings for bodies